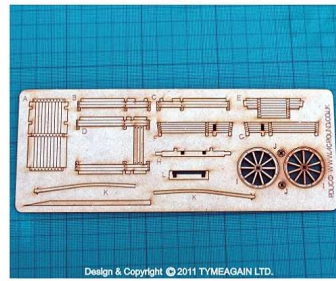


# 4GROUND

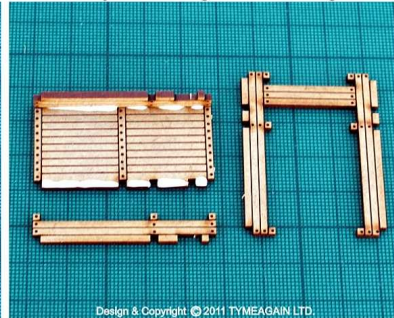
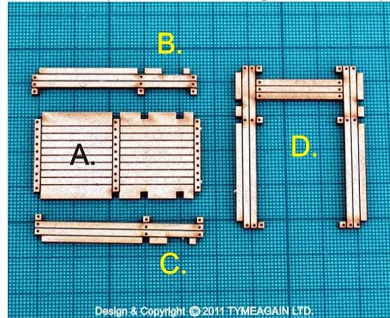
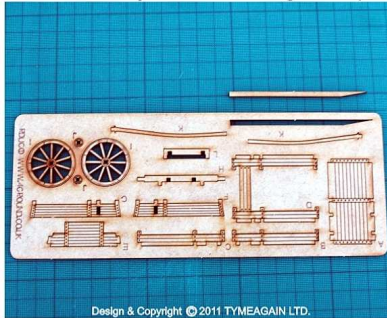
## Horse/Pony Utility Cart Rorke's Drift Cart. 28Col RDUC



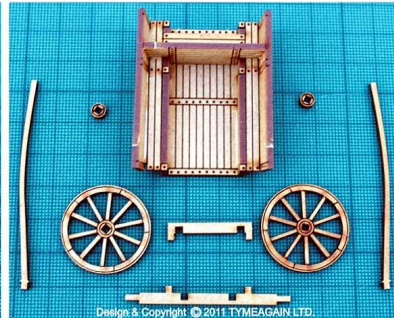
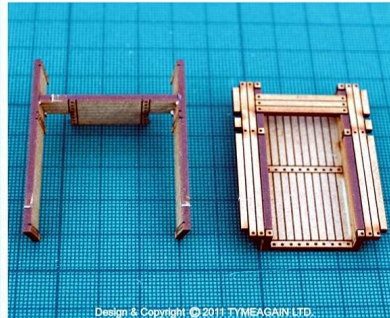
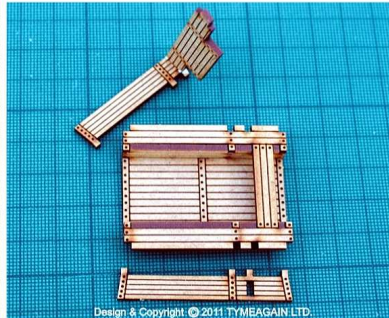
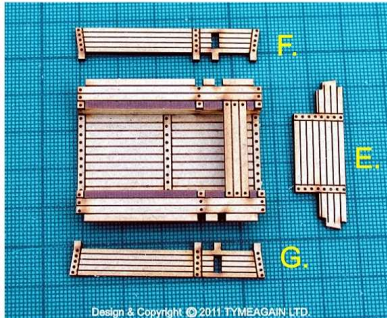
The 4G difficulty rating for this model kit is level 3. It is not a toy, it is not meant for those under 14yrs.

**NOTICE:** Before assembling your model kit, ensure you have read these instructions. For assembly you will need PVA glue or another suitable adhesive (for joining plywood and other wood composite fibre boards) and a sharp modelling knife is recommended to ease parts from the sprues (remember to cut away from your body and fingers). Sand paper can be used to clean sprue joints.

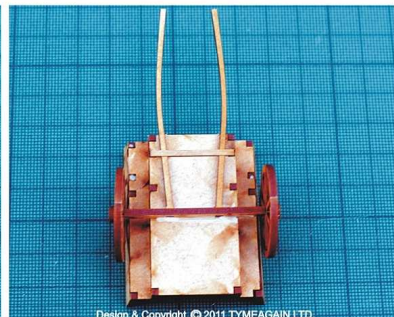
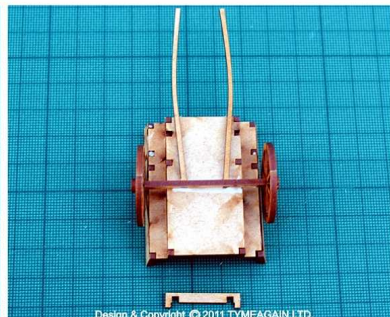
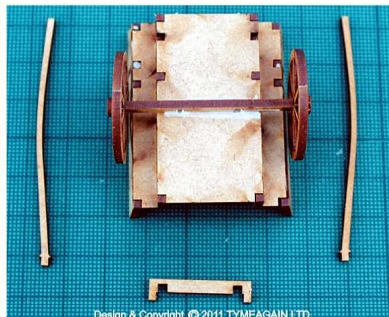
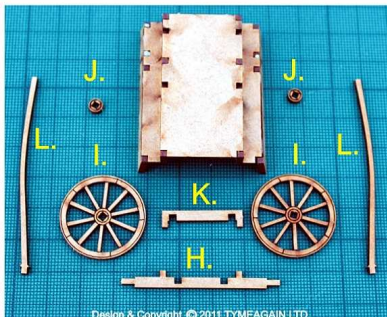
Before each task you will see an image of the parts required and their letter. Remove all parts required from their sprues before starting that task. All parts will ideally be fitted together with PVA glue.



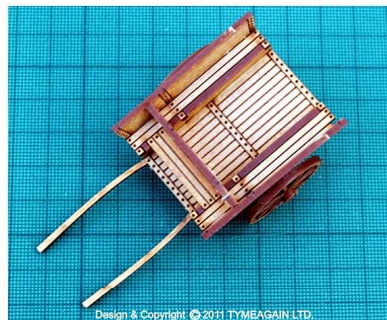
First remove the applicator (this is ideal for pushing parts out from the sprue once they have been cut loose) from the sprue. Glue parts B and C to part A, as shown, now glue part D to this assemblage



(the applicator is also good for removing excess glue). Now glue parts F and G to E before gluing all to the main assemblage. Now take the remaining parts and lay them on your work area as shown.



Glue parts I to the ends of part H, then glue parts J over them, now flip the main assemblage over and glue the wheels in place. Fix the parts L as shown above and finally glue H in place as a spacer.



[www.4GROUND.co.uk](http://www.4GROUND.co.uk)

Take a look at the 4GROUND web site for more of our kits and ideas of what kits work well together!

A MEMBER OF  
**A©ID**  
ANTI COPYING IN DESIGN